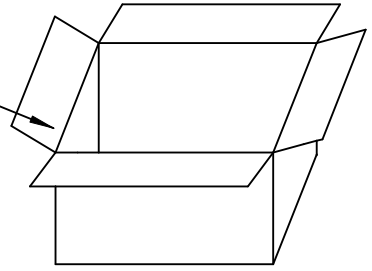
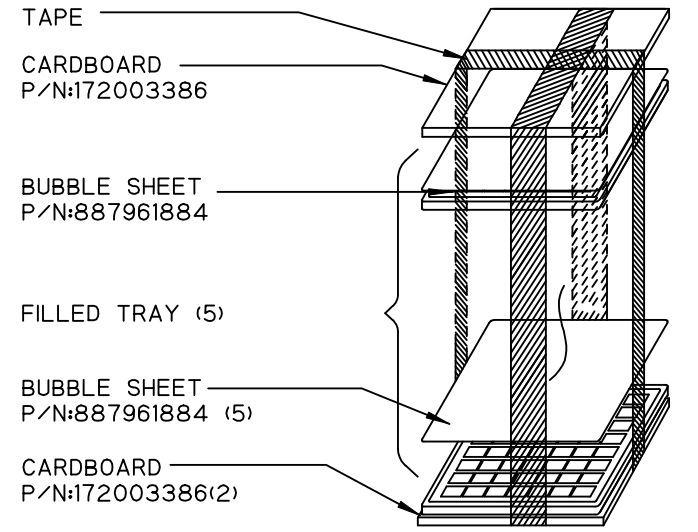
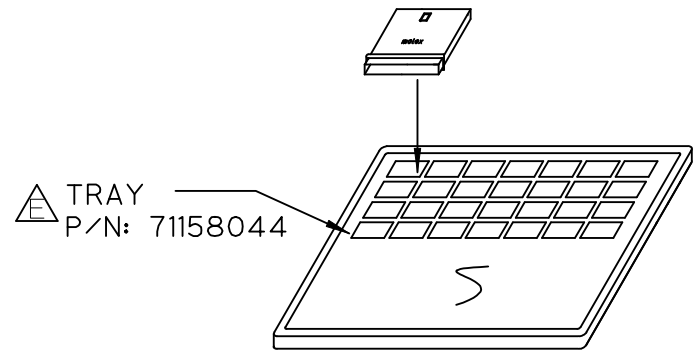


Molex 74548-0111 PDF

molex[®]

深圳创唯电子有限公司 [http://www.molex-
connect.com](http://www.molex-connect.com)

| REVISIONS | | | | |
|-----------|------------|-----|-----------------------------|---------|
| EC NO | DATE | REV | DESCRIPTION | CHANGER |
| CY13-5693 | 2014/02/21 | E | TRAY UPDATE TO ESD MATERIAL | DLI50 |
| | | | | |
| | | | | |



NOTE: 1. 1 PCS TRAY PER LEVEL, TOTAL 5 LEVELS, TOTAL 420 PCS PER CARTON.

每层1个托盘,共5层
每箱420个成品

2. USE OTHER PACKING MATERIALS TO FILL IN THE CARTON.

纸箱空余的位置需要填充.

3. THERE IS NO FINGERPRINT ON THE GOODS.
产品上不可有指纹印.

| | | | | | | | | | | |
|--|---|---------------------------------------|--|----------------------------|---------------------------|--------------------|---|------------------------|--|--|
| ENTER DESCRIPTION EC NO: CP52017-1074 DRWN: ZDGU001 CHKD: DLI50 APPR: CLAN01 2017/02/03 2017/02/03 2017/02/03 | QUALITY SYMBOLS $F_A=0$ $F_F=0$ $F_{FP}=0$ | GENERAL TOLERANCES (UNLESS SPECIFIED) | | DIMENSION STYLE MM ONLY | | SCALE ----- | DESIGN UNITS METRIC | THIRD ANGLE PROJECTION | | |
| | | | mm | INCH | DRAWN BY ZDGU001 | DATE 2017/02/03 | TITLE 1X1 EMI GUIDE HOUSING ASSY 1 DEGREE -SAS | | | |
| | | 4 PLACES | ± --- | ± --- | CHECKED BY JBDONG | DATE 2017/02/03 | | | | |
| | | 3 PLACES | ± --- | ± --- | APPROVED BY CLAN01 | DATE 2017/02/03 | molex DOCUMENT NO. PK-74548-007 SHEET NO. 1 OF 1 | | | |
| | | 2 PLACES | ± --- | ± --- | MATERIAL NO. 745480111 | | | | | |
| 1 PLACE | ± --- | ± --- | DRAFT WHERE APPLICABLE MUST REMAIN WITHIN DIMENSIONS | | SIZE A 4 | | THIS DRAWING CONTAINS INFORMATION THAT IS PROPRIETARY TO MOLEX INCORPORATED AND SHOULD NOT BE USED WITHOUT WRITTEN PERMISSION | | | |
| 0 PLACE | ± --- | ± --- | ANGULAR ± ---° | | | | | | | |